



**MoistureShield**

COMPOSITE DECKING

# Cladding Installation Guide

January 2022

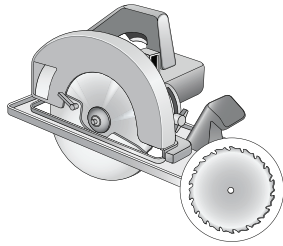


[MOISTURESHIELD.COM](https://www.moistureshield.com)

# Preparation

## Tools:

- Circular saw with carbide-tipped blade (max 20 teeth), 10" or 12" miter saw with carbide-tipped blade (40 teeth)



- Eye protection



- Ear protection

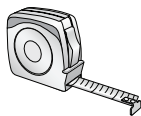


- **Blue** chalk line.

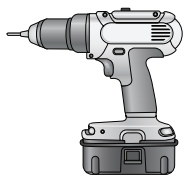
NOTE: Other colored chalk may stain your deck.



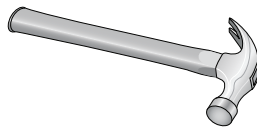
- Tape measure



- Screw gun



- Hammer

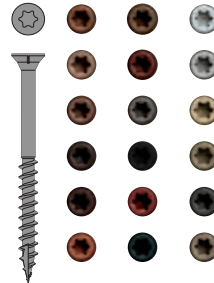


- Level

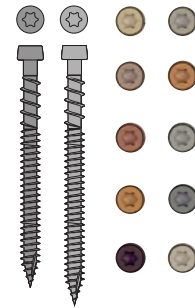


## Cladding Fasteners:

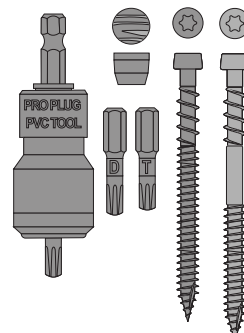
- **Headcote®**  
#10 x 3" Stainless steel  
(Horizontal and vertical installation)



- **Cap-tor® xd**  
#10 x 2 3/4" Stainless steel  
(Horizontal installation)  
#10 x 3" Stainless steel  
(Vertical Installation)



- **Pro Plug® PVC/Composite System**



- Auto stop mechanism with free spinning stop collar
- Special bits for deck and trim applications
- Plugs made from MoistureShield board material

*For coastal applications or for additional information contact your local Starborn representative*

## Approved Products for Cladding:

- **Meridian™**

1" Solid edge deck board  
Actual dimensions: 1" x 5.4"  
Available lengths: 12', 16', 20'



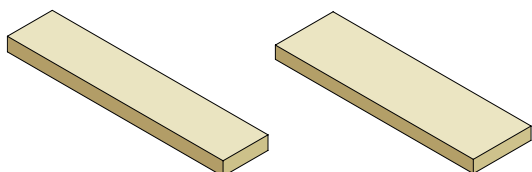
- **Vision®**

1" Solid edge deck board  
Actual dimensions: 1" x 5.4"  
Available lengths: 12', 16', 20'



## Wood Furring Strips:

\*Only use pressure-treated wood furring strips



- 1"x 3"
- 1"x 4" (For butt joint applications)

## Wood Furring Fasteners

- Exterior Grade Corrosion Resistant Pan/Flat Head Screws #10 x 2"



## GAPPING

Width to Width Gap	3/16" (5mm)
Butt Joints	1/8" (3mm)
Corners	1/8" (3mm)
Solid Objects (windows, doors, etc)	1/4" (6mm)

Any deviation from the directions given in this guide may result in the voiding of the MoistureShield warranty.



# Horizontal Cladding Installation

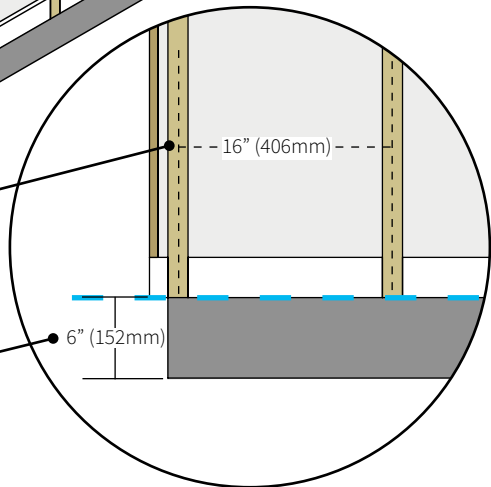
## Wall Preparation

- Framing
- Insect Barrier
- OSB Panel
- Water-Resistive-Barrier (WRB)
- Furring Strips
- Window Flashing
- Corner Flashing
- Insect Barrier
- Grade

Install a code approved WRB before installing furring strips.

Furring strips must be installed at 16" on center, with the bottom of the furring strips starting at the chalk line.

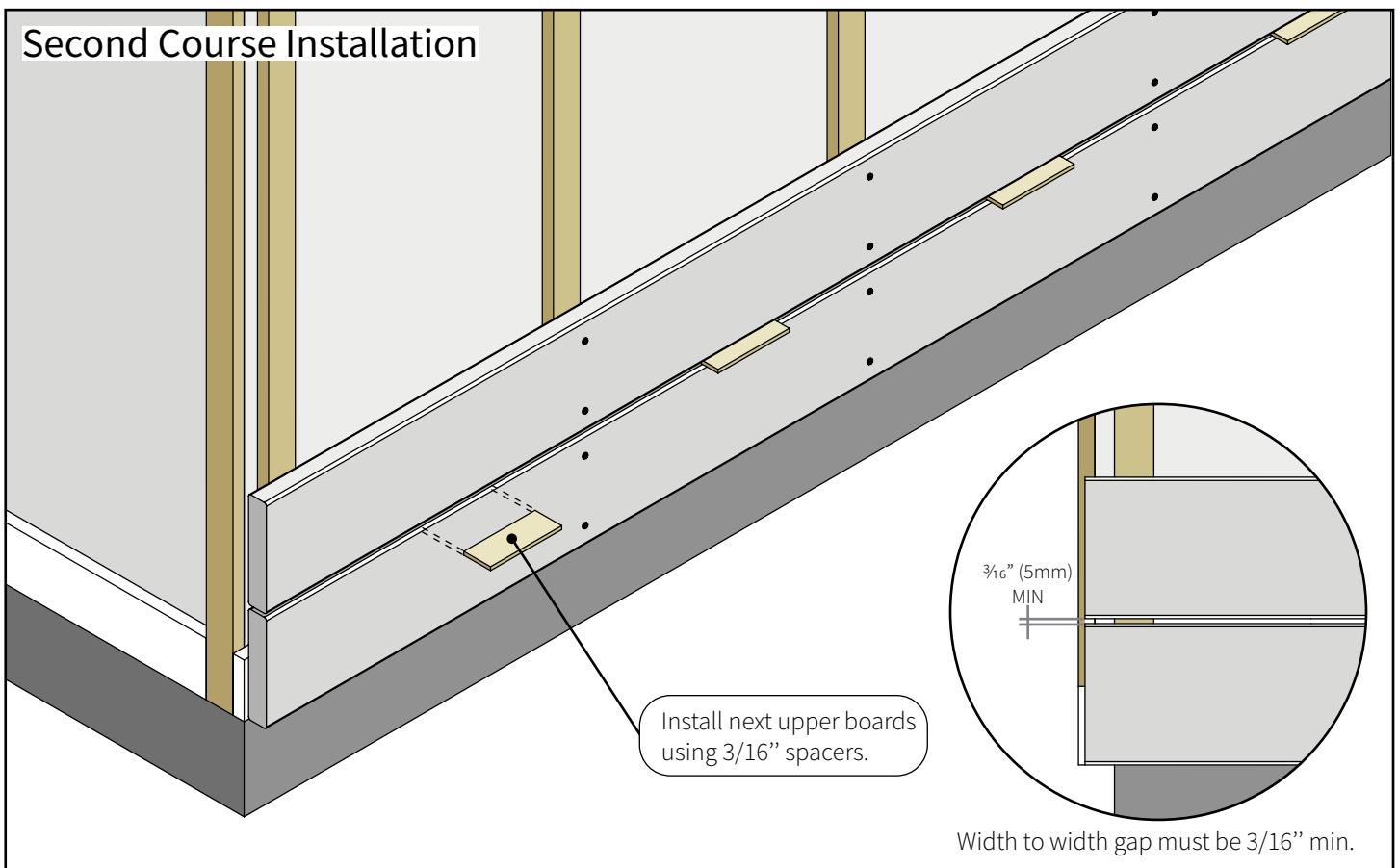
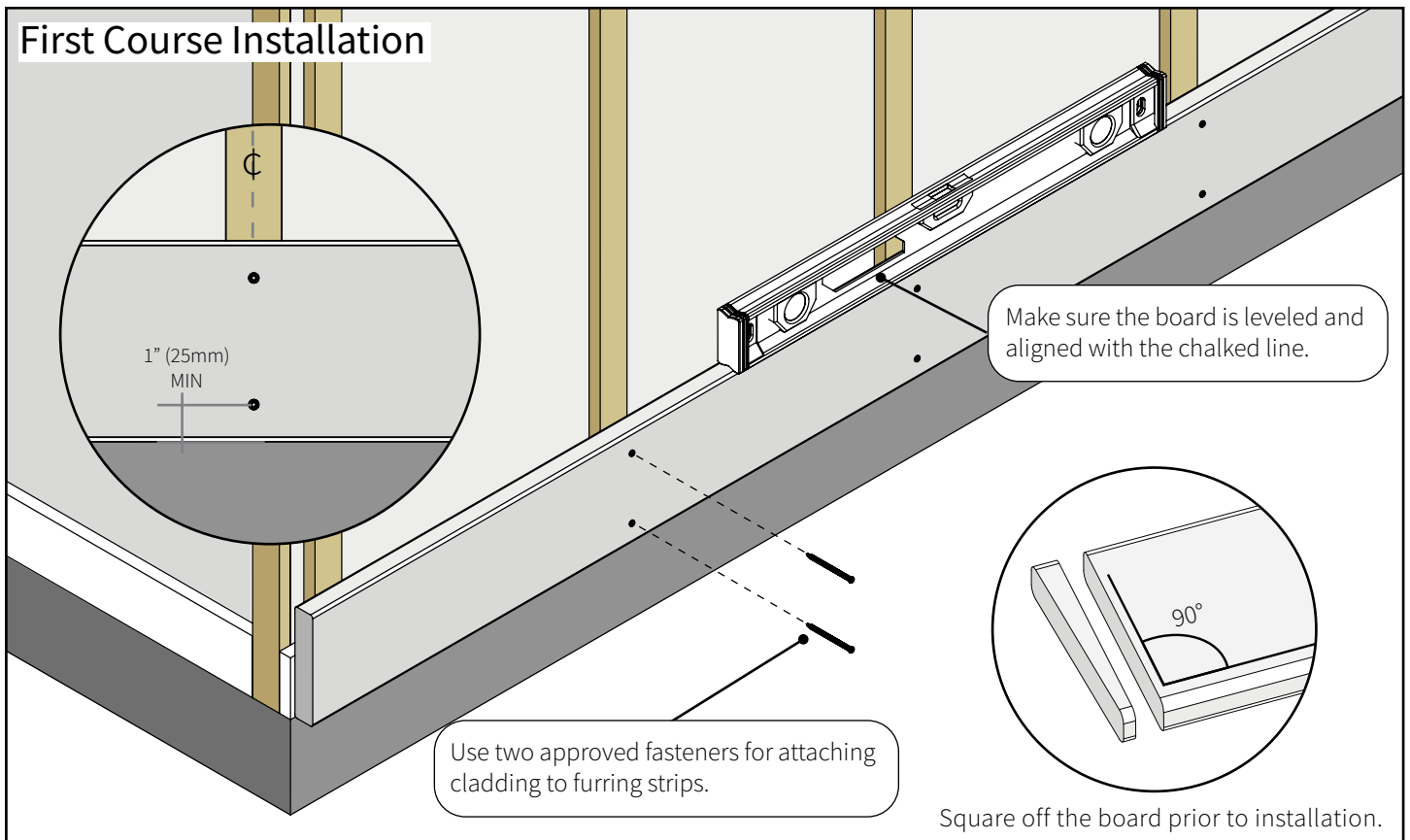
The first line of boards must be a minimum of 6" above grade



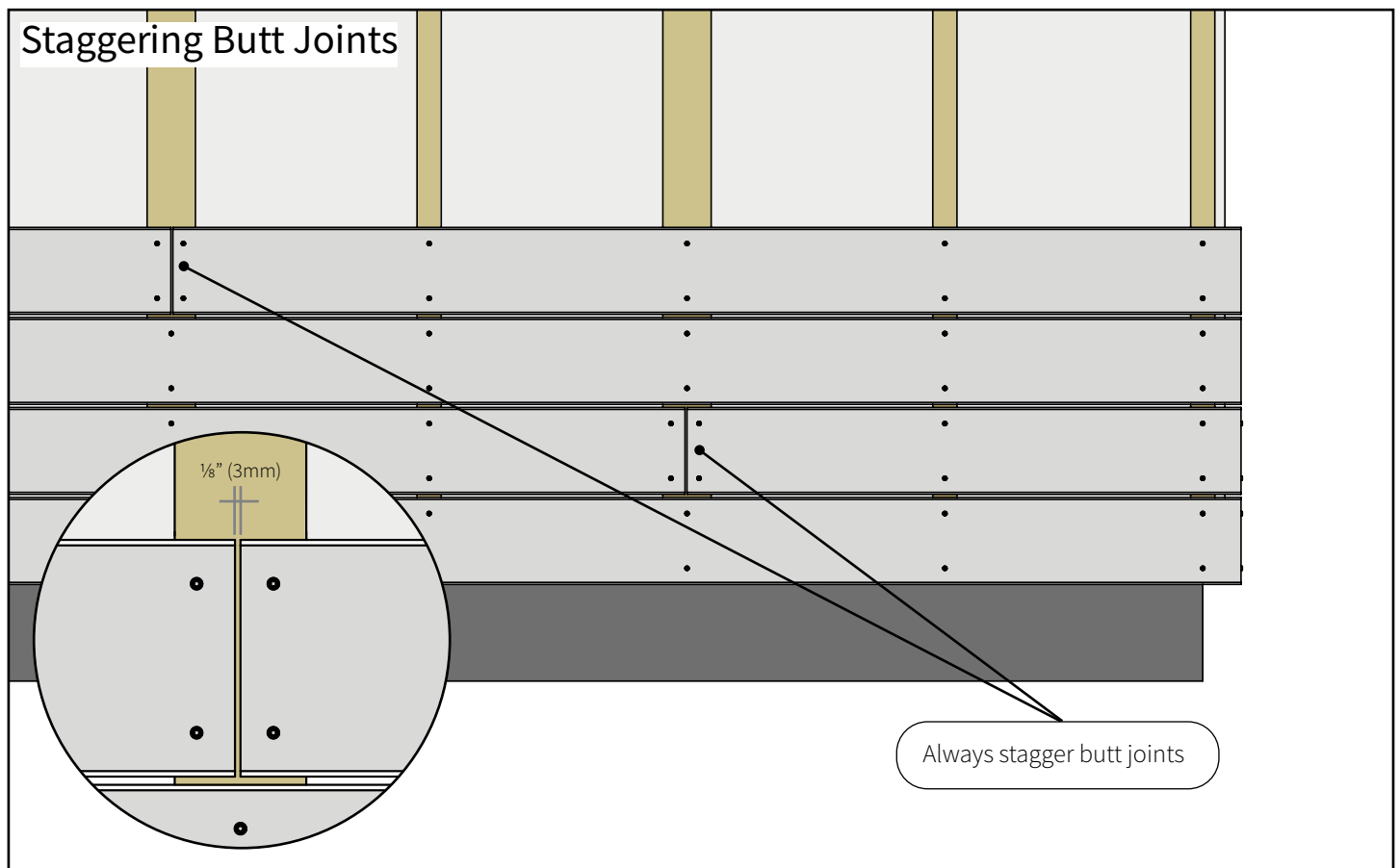
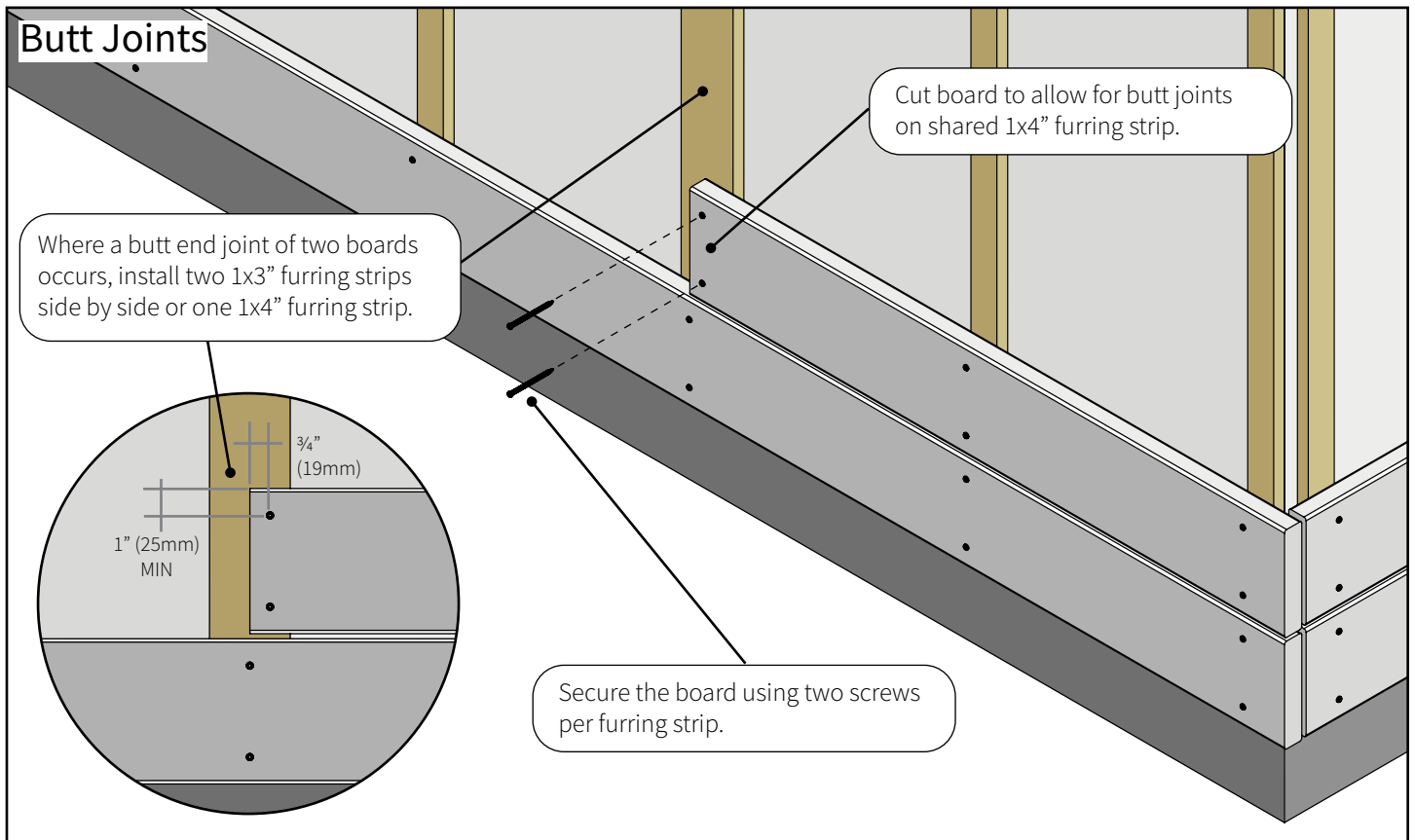
Chalk a blue line at the bottom of the structure. Other colored chalk may stain your deck.



# Horizontal Cladding Installation

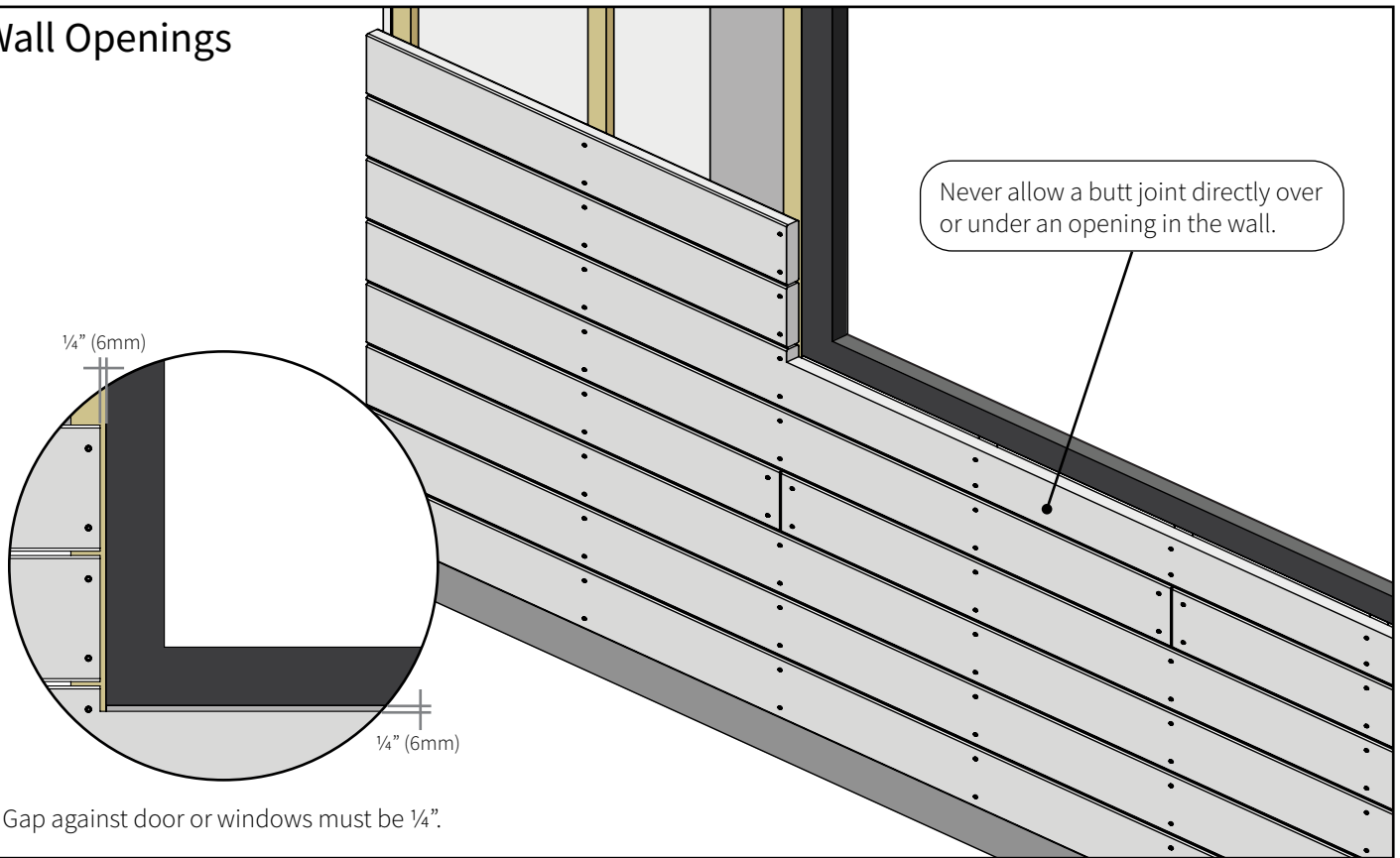


# Horizontal Cladding Installation



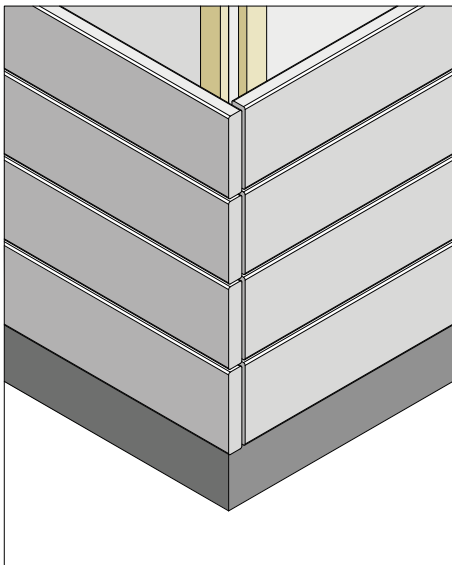
# Horizontal Cladding Installation

## Wall Openings

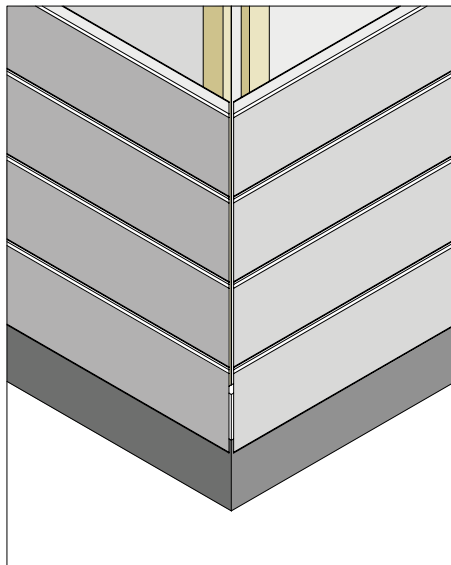


## Corner Options

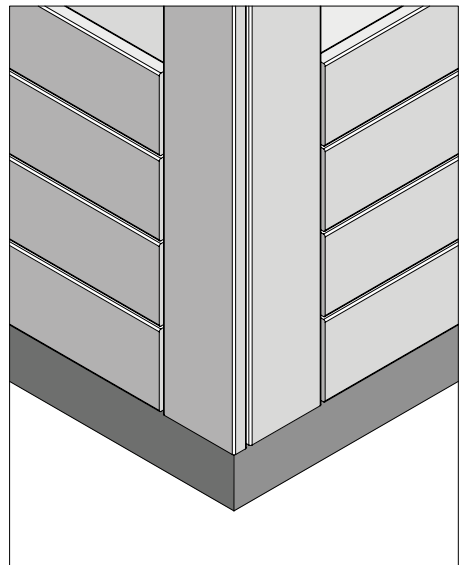
Overlap Corner



Miter Cut Corner



Vertical Board Corner



\*In all cases 1/8" space needs to be maintained



# Vertical Cladding Installation

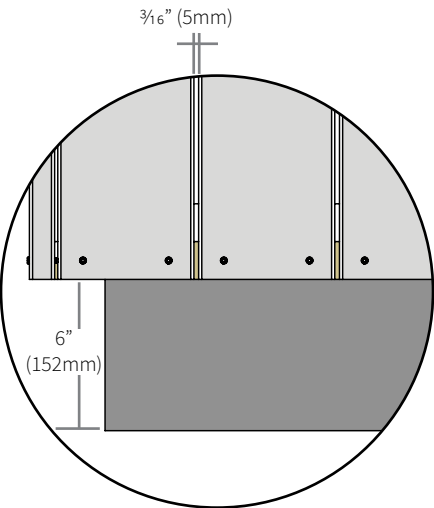
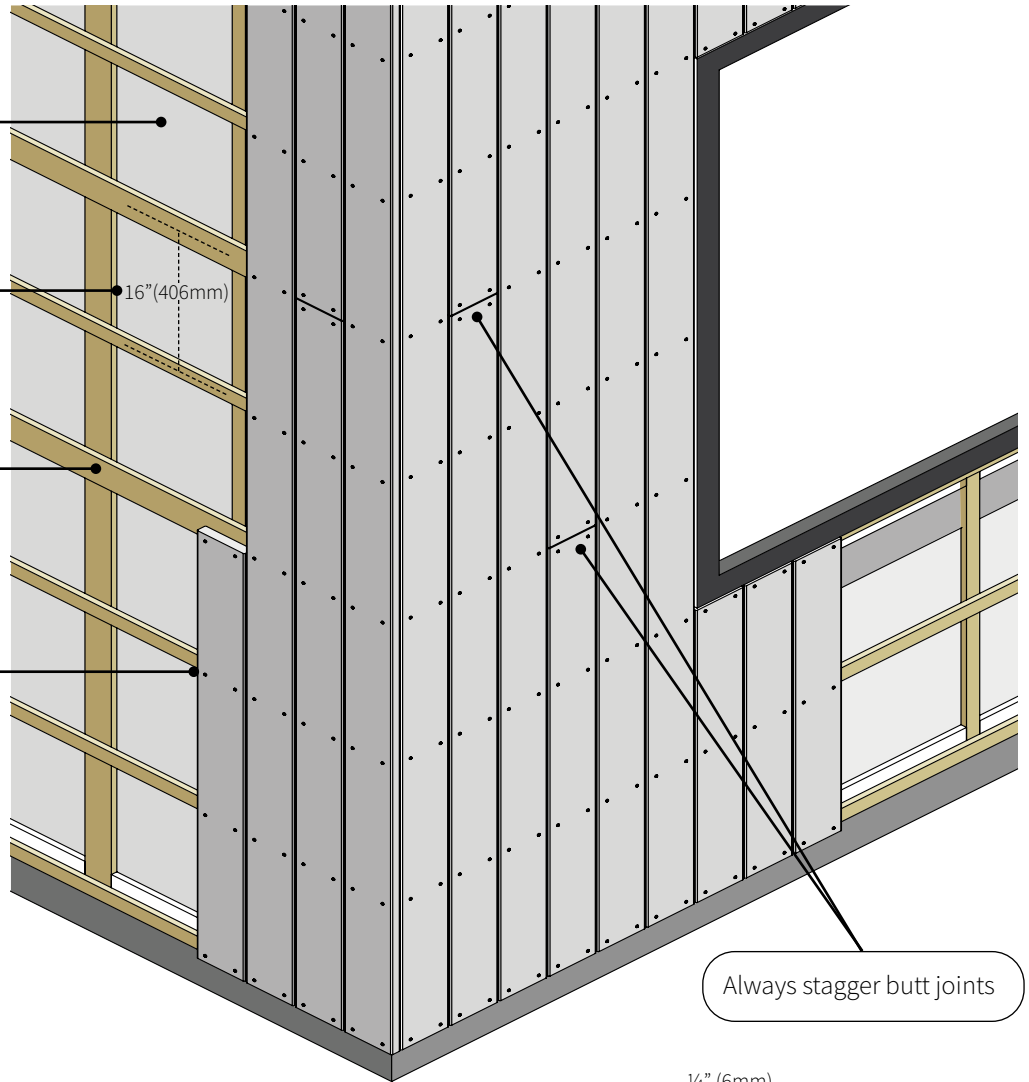
## Wall Openings

Install a code approved WRB before installing furring strips.

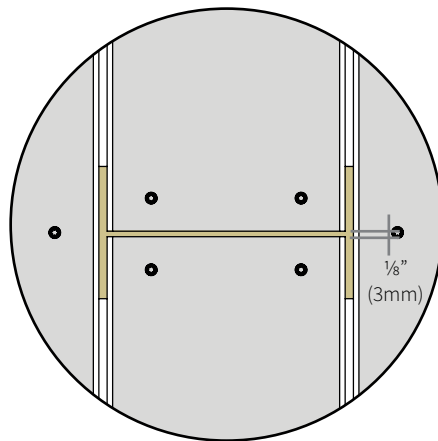
For vertical installations, horizontal furring strips must be installed at 16" on center.

Install two 1x3" furring strips or one 1x4" furring strip where cladding boards abutt.

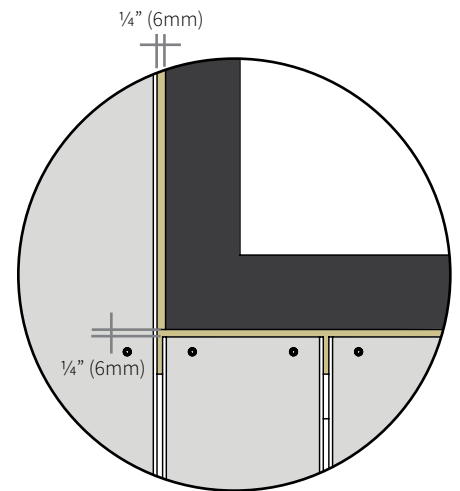
Secure the boards using two screws per furring strip.



The first line of boards must be a minimum of 6" above grade  
Width to width gap must be 3/16" min.



Butt joint gap must be 1/8" min.



Gap against door or windows must be 1/4"

